



Quick User Guide

Full user manual can be accessed through our website using the QR code

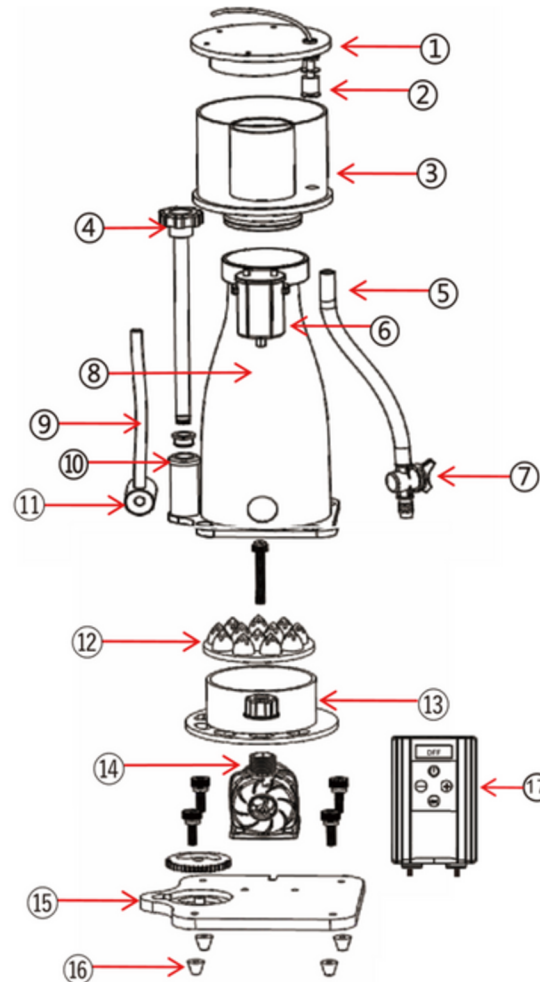


SCAN ME

Thank you for purchasing AquaQuantix Protein Skimmer. Please read this manual carefully and refer to our full user manual through QR code provided.

If you have any difficulties installing or using this project, please contact our customer service team through our website.

Parts Diagram



Part	Description	Part	Description
1	Collection cup lid	10	Regulator stand
2	Overflow sensor	11	Air intake (pump)
3	Collection cup	12	Honeycomb diffuser
4	Skim regulator	13	Diversion housing
5	Waste tube	14	Pump
6	Silencer	15	Base
7	Waste tube valve	16	Rubber feet x 4
8	Reaction chamber	17	Smart controller
9	Silencer hose	18	Power plug (not shown)

Important Safety Instructions

DANGER: Always take special care when handling this product. Do not attempt repairs yourself. In case of a fault, contact our customer service team or discard the appliance.

WARNING: Basic safety precautions must be observed.

- Do not use this product if it is malfunctioning or damaged in any manner.
- Do not make contact with any moving parts.
- Supervision is required when this product is used near children.
- Do not use this product for anything other than its intended use.
- Do not use any parts that are not recommended or sold by the manufacturer.
- Do not start this product when the pump is above the water or the water level is too low (refer to recommended water level).
- Do not touch the plug with wet hands.
- Always unplug this product when not in use, before cleaning, or before removing it from the aquarium.
- Read this guide and full user manual carefully before operating this product.

Maintenance

Do not clean this skimmer with any product containing alcohol (e.g. isopropyl alcohol) or ammonia (e.g. ammonia based cleaning products) as they could damage this product. Use clean water for cleaning or white vinegar for removing excessive build-up, and rinse thoroughly afterwards.

Collection cup: we recommend cleaning it every 15-30 days.

Reaction chamber: Over time, organic and mineral deposits will form on the chamber surface, affecting the skimmer's efficiency. It is recommended to thoroughly clean the reaction chamber at least once every 6 months.

Pump: It is recommended to thoroughly clean the pump at least once every 6 months.

Warranty

AquaQuantix Limited warrants your product(s) against defects in materials and workmanship for a period of 12 months, valid from the date of original purchase. We will repair this product free of charge (not including the shipping charges) if the warranty period is still valid.

Our warranty does not cover damage occurred during shipment or resulted from improper installation and operation, misuse, neglect, abuse, mishandling, alteration, modification or service/repair by anyone other than those authorised by AquaQuantix. We shall not be liable for incidental or consequential damages as a result of using this product, or resulting from any breach of this warranty.

Contact your local dealer or AquaQuantix Limited, in the event that a problem develops with this product during, or after, the warranty period.

Assembly

Remove the product and all components from the protective packaging and ensure all parts are present.

NOTE: Your skimmer is pre-assembled in the packaging for transportation purpose only. Please follow the assembly guide and schematics carefully.

Step 1: Gently remove the collection cup and its lid from the skimmer body. Lift it straight up and do not bend.

Step 2: Unscrew the four screws on the base plate and gently lift the body of reaction chamber and separate it from the base assembly (including the base plate, pump, and honeycomb diffuser).

Step 3: Remove the protective packaging, if any, around the pump.

Step 4: Use the four screws to re-assemble the reaction chamber back onto the base plate.

Step 5: Install four rubber feet to the bottom of the base plate.

Step 6: Install the venturi (Part 11) and silencer (Part 6 & 9) onto the skimmer body. Fit the silencer onto the hanger and venturi to the hole next to the pump.

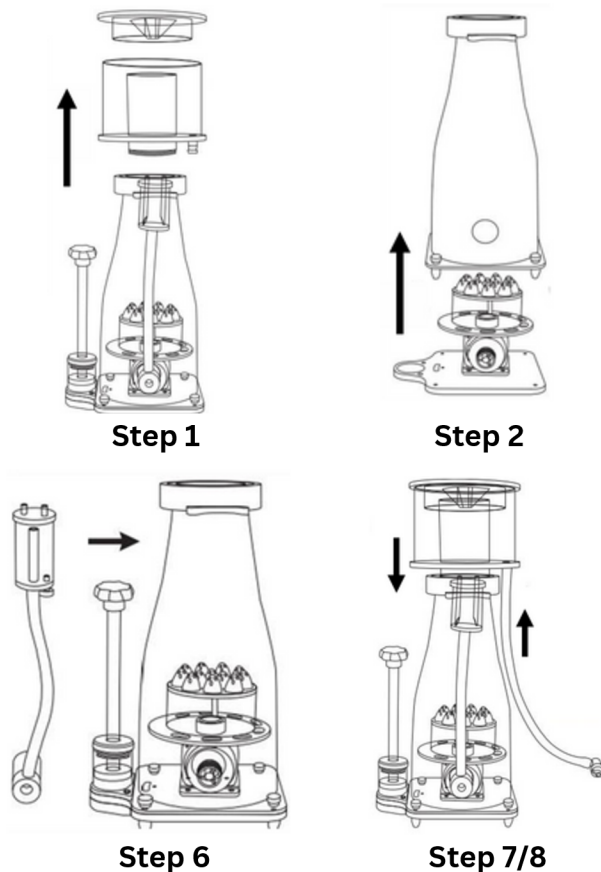
Step 7: Gently fit the collection cup and its lid onto the skimmer body. Do not apply excessive force.

Step 8: Fit the waste tube and valve to the bottom of the collection cup.

Step 9: Fit the overflow sensor through the hole on the collection cup lid. Use the provided rubber ring to help fix the sensor into position. Make sure the 'flange' of the rubber ring sits on top of the lid and gently fit the sensor, through the lid hole, onto the rubber ring. Do not apply excessive force.

Installation

- Put the skimmer into the sump. Ensure the power plug and all connectors are left in a safe placement without getting wet.
- Adjust the skimmer position and orientation (including the lid) so that the skim regulator and the waste tube are accessible.
- Check that there is at least 2-3 cm of water column, unobstructed, next to the venturi (Part 11).
- Check that the water height in the sump compartment is appropriate to the skimmer model (optimal water level line on the skimmer body) when it is turned off.
- Check that the height in the sump compartment is appropriate to allow for the removal of the collection cup lid.
- Rotate the lid, if necessary, so that the valve of the waste pipe can be accessed, e.g. waste water draining into a jug.
- To avoid the power plug or other electronics components getting wet, a 'drip loop' is recommended for every cable from the aquarium.
- Now, let's connect all the cables to the smart controller. Your skimmer's smart controller has 3 cable receptacles (female ends, where you plug the male-end connectors in) at its bottom surface. First, connect the power cable to the controller. Then, connect the pump cable to the controller. These two have different connector types so make sure you check before plugging them in. Finally, insert the cable from the overflow sensor to the middle receptacle, which is hidden under a small rubber cover.



Operation

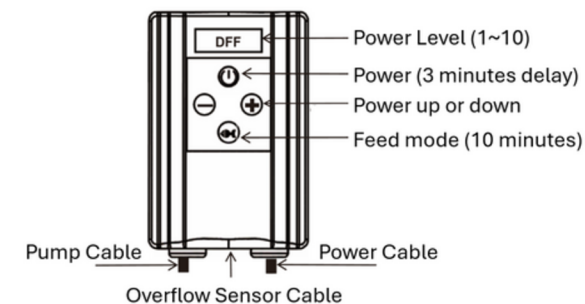
As the air bubbles get hydrodynamically pushed through the reaction chamber in your skimmer, organic materials adhere to the surface of the air bubbles, resulting in foam being formed at the top of the chamber and eventually being collected in the cup.

Connect the power plug and turn the skimmer on. The smart controller will display a 3-minute (i.e. 180 seconds) count down. This is a safety measure to prevent damage to the pump when it is started accidentally out of the water. When the count down ends, the controller will display the 'Power Level' - refer to the smart controller section for more information.

Use the skim regulator to gain fine control of skimming efficiency. Rotating the regulator towards the '+' direction raises the foam level (where the organic matters are 'elevated' to), whilst rotating it towards the '-' direction lowers the foam level. Adjust the regulator so that the foam reaches the neck of the skimmer.

* It is common for a new skimmer to over-skim harmless organic residuals. Turn the regulator down and wait until skimming settles. This may take a few hours.

Features of Smart Controller



- When in the 'feed mode', press the feed button again to exit the feed mode immediately.
- Once the overflow sensor is activated, the skimmer pump will be turned off automatically and the alarm sound will last for 10 minutes. After 10 minutes, the skimmer is automatically turned back on, maintaining its lower power level (level 1). Once the overflow sensor is deactivated, the skimmer will resume its original power level.

Model Parameters

Model	System Volume (L)	Footprint (mm)	Power
S	200-400	140x110x450	DC 24V, 7W
M Plus	400-700	200x191x485	DC 24V 20W
L Plus	500-1000	218x220x550	DC 24V, 25W
XL Plus	700-2000	271x271x620	DC 24V, 35W

Model	Water Height (mm)	Max Air Intake (L/h)	O/f Sensor
S	170-190	300	No
M Plus	170-200	600	Yes
L Plus	180-220	900	Yes
XL Plus	180-220	1450	Yes

Error Codes

Code	Description	Code	Description
E1	Voltage too high (power supply)	E4	Pump idle protection (low water level)
E2	Voltage too low (power supply)	E5	Pump stalling (check debris)
E3	Over-current (power supply)	E7	Phase protection (check wiring)

Contact Us

AquaQuantix Limited

Address:
AquaQuantix Limited
Third Floor
3 Hill Street
Edinburgh, EH2 3JP
United Kingdom

Website: www.AquaQuantix.com
Email: contact@aquaquantix.com

